

Product Information

# Standard Counter SZ9648



- 1 input for contact (debounced) max. 30 Hz
- 1 input for electronic max. 15 kHz
- Auto reset or external reset
- LED-Display 14.2 mm red, indicating range 0..999999 Digit
- Max. 4 alarm outputs, relay SPDT or transistor

## Characteristics

The Standard Counter SZ9648 is available as totalizing counter or preselect counter. It operates in up-counting function. The device offers separate counting inputs for proximity switch, light barriers, other electronic signals and for mechanical contacts.

## Technical data

### Power supply

Supply voltage : 230 V AC  $\pm 10\%$ ; 115 V AC  $\pm 10\%$ ;  
 24 V AC  $\pm 10\%$  or 24 V DC  $\pm 15\%$

Power consumption : max. 3.5 VA

Operating temp. : -10..+55 °C Standard

CE conformity : EN 61326-1:2013; EN 60664-1:2007

### Input

PNP sensor :  $R_i = 6,3\text{ k}\Omega$   
 level:  $< 4\text{ V}$  low;  $> 8.5\text{ V}$  high;  
 hysteresis  $> 2.5\text{ V}$ ; max. 35 V DC

Namur sensor :  $R_i$  approx.  $1\text{ k}\Omega$  ( $< 4\text{ mA}$ )  
 level:  $< 1\text{ mA}$  low;  $> 2.2\text{ mA}$  high;  
 hysteresis  $> 0.5\text{ mA}$ ; max. 35 V DC

Counting frequency : input A = 30 Hz max.,  
 debounced for contact

input B = 15 kHz, electronic

Counting loss : 100  $\mu\text{s}$  at reset;  
 20 ms changing of preselect value

Min. pulse width : electronic pulse 50  $\mu\text{s}$ , switch contact 5 ms

External reset : min. pulse width  $\geq 10\text{ ms}$

Transmitter supply : 8 V DC (Namur), 24 V DC (PNP),  
 $R_i$  approx.  $150\ \Omega$ , max. 50 mA  
 (25 mA with 4 relay outputs)

### Display

Indicating range : 0..999999 Digit with leading zero  
 suppression

Additional display : LED 2-digit red, 7 mm  
 (parameter - and output indicator)

### Output

Relay : SPDT  $< 250\text{ V AC}$   $< 250\text{ VA}$   $< 2\text{ A}$ ,  
 $< 300\text{ V DC}$   $< 50\text{ W}$   $< 2\text{ A}$

Transistor : max. 35 V AC / DC, 100mA,  
 short circuit proof

Case : panel case DIN 96x48,  
 material PA6-GF; UL94V-0

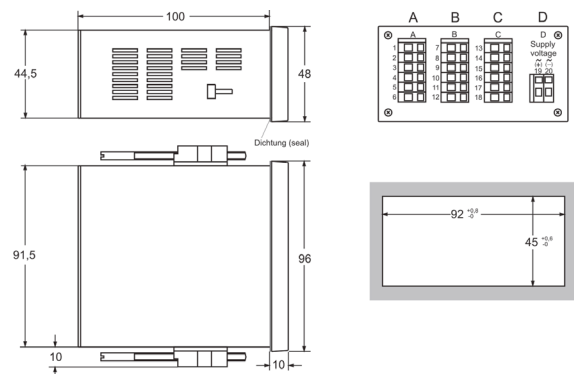
Dimensions : front 96x48 mm, mounting depth 100mm

Weight : max. 390 g

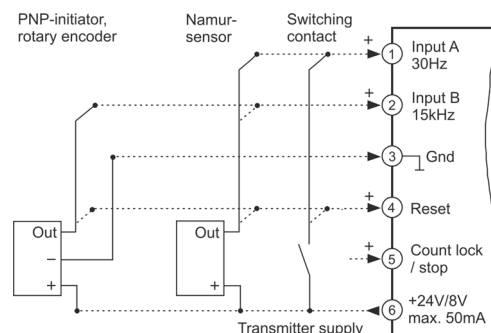
Connection : clamp terminals, 0.08..1.5 mm<sup>2</sup>,  
 AWG28..AWG14

Protection class : front IP65, terminals IP20 acc. to BGV A3

## Dimensions



## Connection diagram



## Ordering code

SZ9648 -  1. -  2. -  3. -  4. -  5. -  6. -  7.

<b>1. Terminal strip A</b>	
1	2 count inputs 30 Hz and 15 kHz, 2 additional control inputs, integrated transmitter supply 24V max. 50 mA
<b>2. Terminal strip B</b>	
00	not installed
2R	2 relay outputs
2T	2 electronic outputs
<b>3. Terminal strip C</b>	
00	not installed
2R	2 relay outputs
2T	2 electronic outputs
<b>4. Terminal strip D; supply voltage</b>	
0	230 V AC $\pm 10\%$ 50-60Hz
1	115 V AC $\pm 10\%$ 50-60Hz
4	24 V AC $\pm 10\%$ 50-60Hz
5	24 V DC $\pm 15\%$
<b>5. Options</b>	
00	without option
<b>6. Unit (appears in the unit field)</b>	
<b>7. Additional text</b> placed above the display (3x90 mm HxW)	

Connection diagram for terminal strips B-D see page Fehler:  
 Referenz nicht gefunden